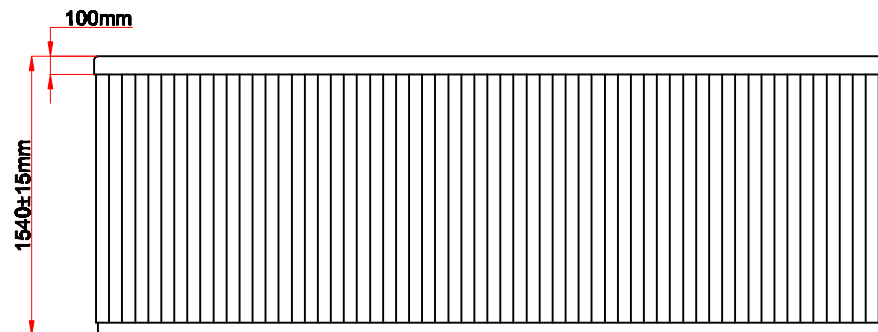
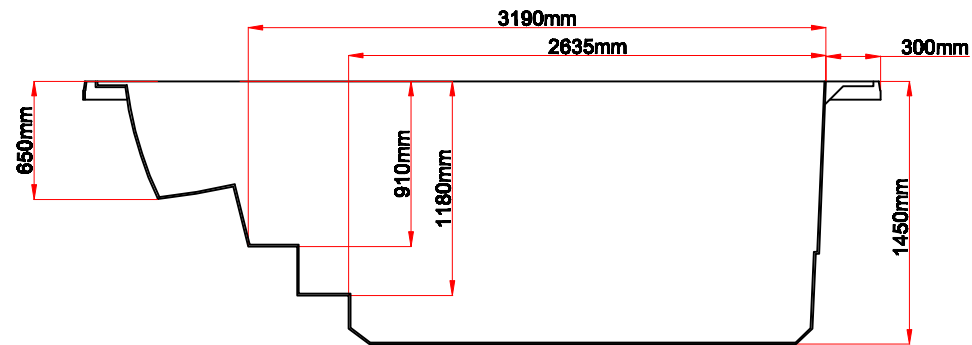
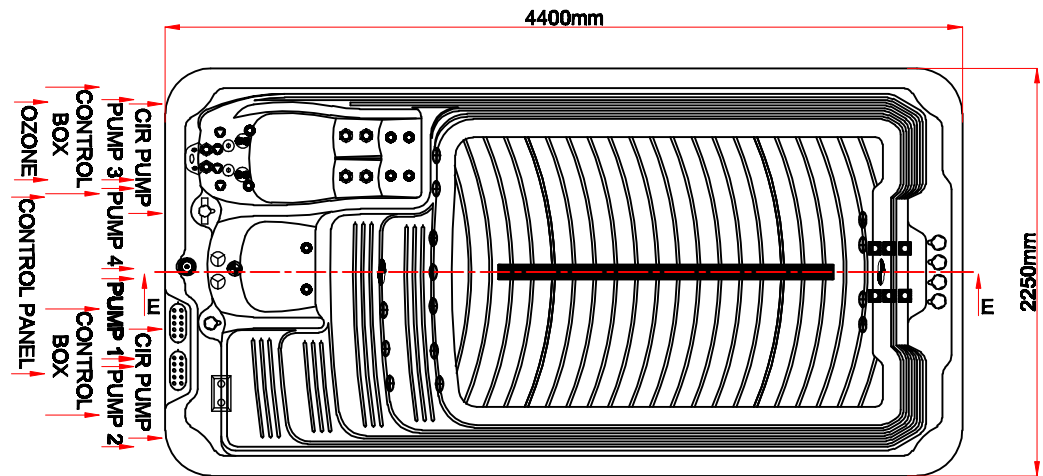




Model Name: Arctic 44 Superior

Business plan



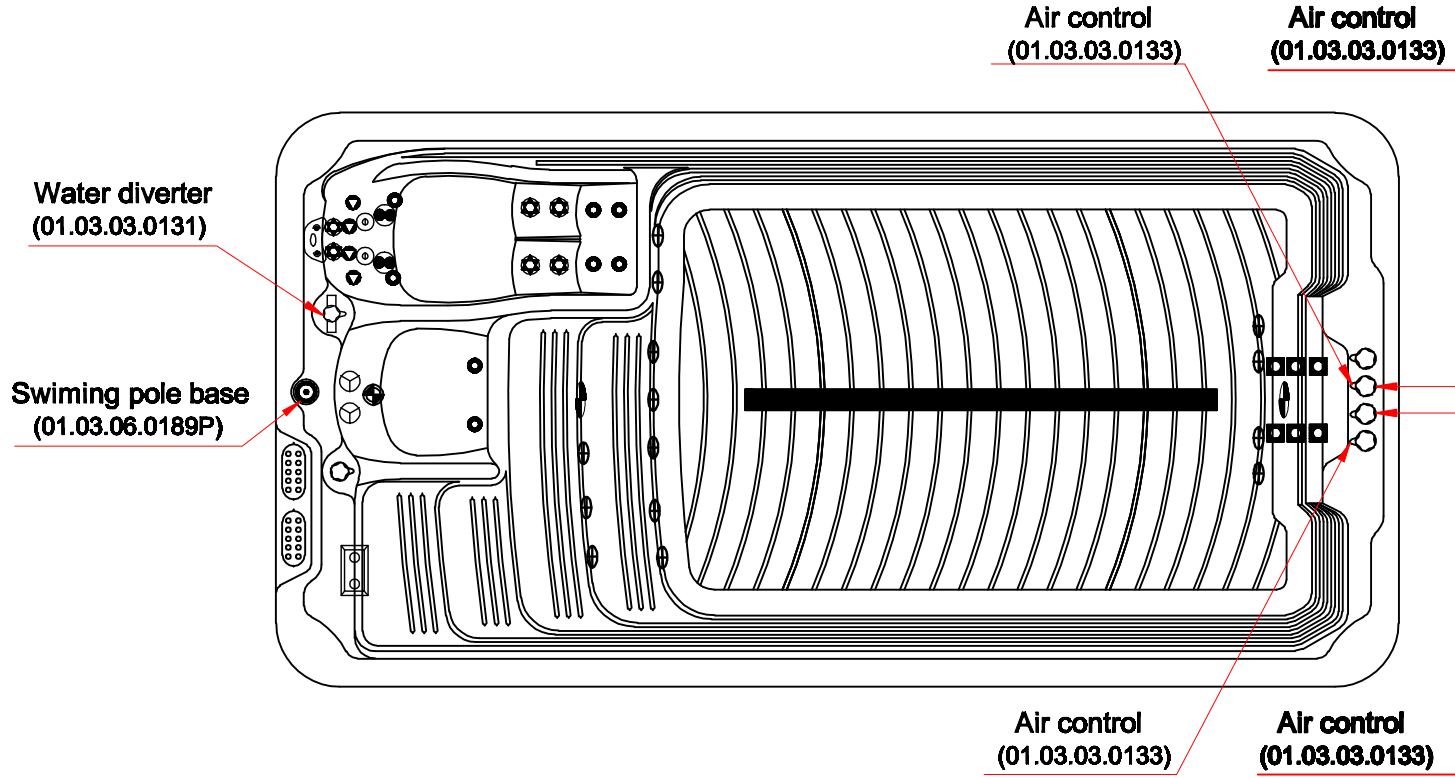
Notes: Due to manufacturing tolerances, there could be some minor differences between the actual spa and the drawing above. If site planning is critical to such tolerances, be sure to measure your actual spa. All specifications are subject to change without notice. Some components may be optional on your spa.

Edition: 19/4/2012



Model Name: Arctic 44 Superior

Fitting



8	■	Swim Jet	01.03.04.0103	6	pcs
7	⊕	3" Jet Directional	01.03.04.0061	2	pcs
6	⊗	4" Jet Directional	01.03.04.0067	1	pc
5	⊙	4" Spinning Jet	01.03.04.0069	2	pcs
4	⊚	2" Spinning Jet	01.03.04.0010	4	pcs
3	⊕	3" Single Pulse	01.03.04.0013	2	pcs
2	⊗	2" Jet Directional	01.03.04.0057	6	pcs
1	○	Large 1" Jet	01.03.04.0075	8	pcs

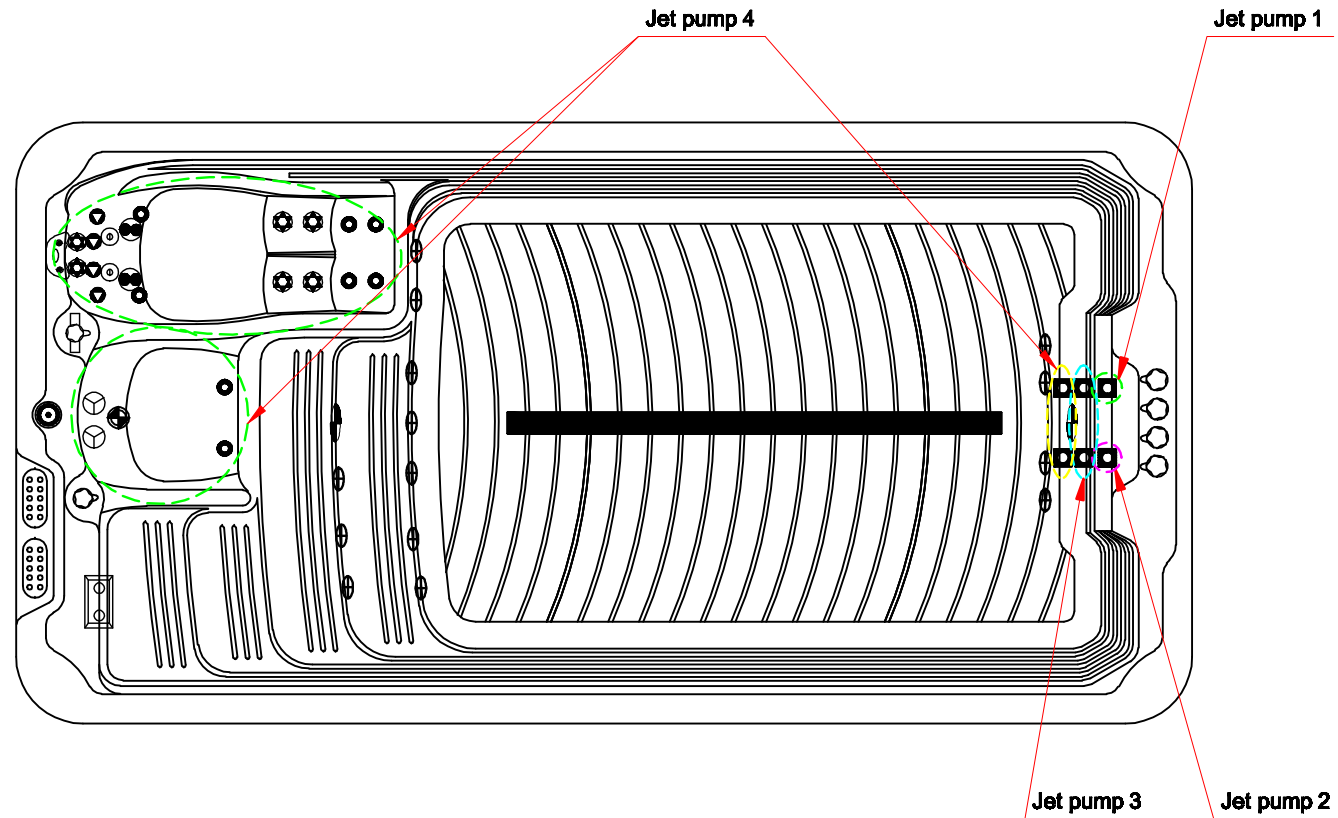
Note: Due to manufacturing tolerances, there could be some minor differences between the actual spa and the drawing above. If size planning is critical to such tolerances, be sure to measure your actual spa. All specifications are subject to change without notice. Some components may be optional on your spa.

Edition:19/4/2012



Model Name: Arctic 44 Superior

Therapy Assignment



Note: Due to manufacturing tolerances, there could be some minor differences between the actual spa and the drawing above. If site planning is critical to such tolerances, be sure to measure your actual spa. All specifications are subject to change without notice. Some components may be optional on your spa.

Edition: 19/4/2012